

BLANCO ANDANO 700-U

Stainless steel 18/10

Product code 10673U**Product description**

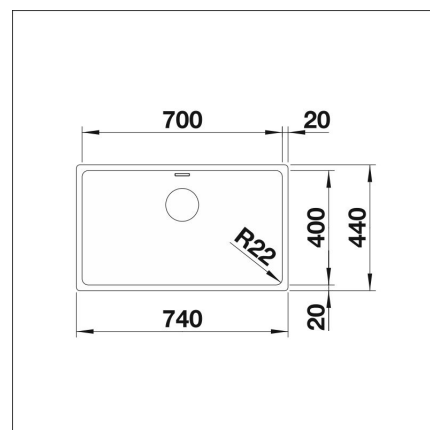
A high-quality first sink in the high-end segment for a wide range of kitchens. In the production of the sinks, the latest manufacturing technology has been used, which results in a stylish and practical sink design (R22mm). Careful finishing and quality can be seen e.g. in the unique InFino bottom valve and the stylish CoverFlow overflow.



INFINO

Technical information

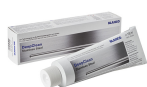
- Sink cabin minimum length: 80 cm
- Material: ruostumaton teräs
- Sink installation method: Bottom mounted
- Waste: 3,5" basket strainer InFino no pop-up
- Depth of main sink: 190 mm

**Delivery content**

- BLANCO stainless steel sink
- bottom valve system
- domestic Prevx Smartloc water trap

**Downloads**

- Prevx Smartloc instructions
- Assembling instruction
- Huolto- ja hoito-ohje
- Material information
- Cutout dimensions
- Declaration of conformity
- InFino waste
- Product introduction video

Recommended accessories

BLANCO DeepClean
[Read more >>](#)



Blanco DailyClean+
[Read more >>](#)



Set top-rails
[Read more >>](#)



Colander
[Read more >>](#)



Foldable Grid
[Read more >>](#)