

## BLANCO ANDANO 500-U

Stainless steel 18/10

### Product code 10633U

#### Product description

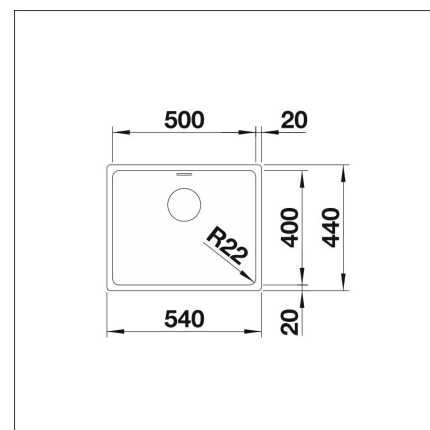
A high-quality first sink in the high-end segment for a wide range of kitchens. In the production of the sinks, the latest manufacturing technology has been used, which results in a stylish and practical sink design (R22mm). Careful finishing and quality can be seen e.g. in the unique InFino bottom valve and the stylish CoverFlow overflow.



INFINO

#### Technical information

- Sink cabin minimum length: 60 cm
- Material: ruostumaton teräs
- Sink installation method: Bottom mounted
- Waste: 3,5" basket strainer InFino no pop-up
- Depth of main sink: 190 mm



#### Delivery content

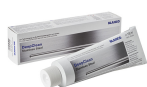
- BLANCO stainless steel sink
- bottom valve system
- domestic Prevox Smartloc water trap



#### Downloads

- Prevox Smartloc instructions
- Assembling instruction
- Huolto- ja hoito-ohje
- Material information
- Cutout dimensions
- Declaration of conformity
- InFino waste
- Product introduction video

#### Recommended accessories



**BLANCO DeepClean**  
[Read more >>](#)



**Blanco DailyClean+**  
[Read more >>](#)



**Set top-rails**  
[Read more >>](#)



**Colander**  
[Read more >>](#)



**Cutting board**  
[Read more >>](#)